

ASSEMBLY INSTRUCTIONS & PARTS MANUAL

Side and Back Rail



RETAIN INSTRUCTIONS FOR FUTURE REFERENCE



GENERAL SAFETY INFORMATION

Some parts may have sharp edges. CARE must be taken when handling various pieces to avoid injury. For safety, wear a pair of work gloves when assembling or performing any maintenance on products.

LIMITED WARRANTY

Tennsco warrants goods purchased hereunder to be free of defects in materials and workmanship for a period of one (1) year from the date of shipment, hereunder. This warranty shall not apply in the event goods are damaged as a result of misuse, abuse, neglect, accident, improper application, modification or repair by persons not authorized by Seller, where goods are damaged during shipment, or where the date stamps on the goods have been defaced, modified or removed. UNLESS CONSIDERED UNENFORCEABLE OR UNLAWFUL UNDER APPLICABLE LAW:

- a. ALL IMPLIED WARRANTIES, INCLUDING BUT NOT LIMITED TO WARRANTIES OR MERCHANTABILITY AND FITNESS FOR A PARTICULAR PURPOSE ARE HEREBY EXCLUDED:
- b. BUYERS REMEDY, IF ANY, FOR ANY DEFECTIVE GOODS SHALL BE LIMITED TO A REFUND BY SELLER OR REPLACEMENT OF THE GOODS AT SELLER'S OPTION, AND SHALL IN NO EVENT INCLUDE DAMAGES OF ANY KIND, WHETHER INCIDENTAL, CONSEQUENTIAL OR OTHERWISE.

NO GOODS ACCEPTED FOR RETURN WITHOUT PRIOR APPROVAL. Seller shall have the right to inspect any goods claimed to be defective at Buyers place of business or require Buyer to return the goods to Seller for inspection on Seller's premises. Transportation charges covering returned goods will be borne by Seller only if such goods are proven to be defective, are covered by this warranty and are returned within the warranty period stated above.



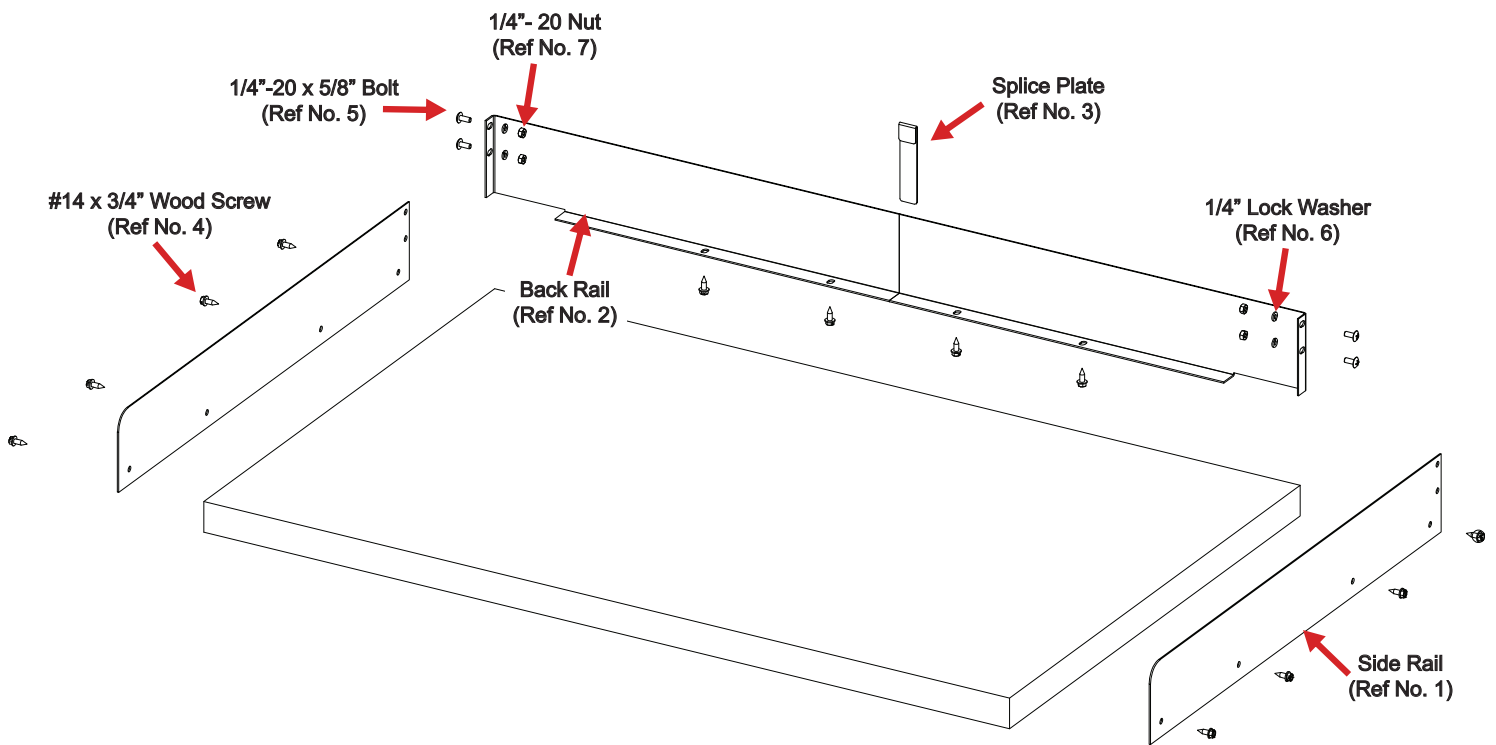
PROUDLY MADE IN THE U.S.A.

Tennsco LLC., Dickson, TN 37056-1888 • (866) 446-8686

ASSEMBLY OF SIDE & BACK RAIL

1. Bolt the side rail (Ref. No. 1) to the right side of the top end attachment. For a wood top, use four #14 x 3/4" wood screws (Ref. No. 4) and drill holes as needed. For steel tops, use four 1/4"-20 x 5/8" bolts (Ref. No. 5) and four 1/4" lock washers (Ref. No. 6).
2. Repeat step 1 to install rail for the left side.
3. Place two-piece back rail across the back and around the outside of the side rails. For wood tops, secure to the bench top with four #14 x 3/4" wood screws on 48" tops or six #14 x 3/4" wood screws on 60", 72" and 96" tops. Drill holes as needed. For steel tops, secure to bench top with four 1/4"-20 x 5/8" bolts, 1/4" lock washers and 1/4"-20 nuts (Ref. No. 7) on 48" tops or six 1/4"-20 x 5/8" bolts, 1/4" lock washers and 1/4"-20 nuts on 60", 72" and 96" tops.
4. Place the splice plate (Ref. No. 2) in the center of the two-piece back rail between the bench top and the back rail. Flange should straddle top of two-piece back rail.
5. Use two of each 1/4"-20 x 5/8" bolts, 1/4"-20 nuts and 1/4" lock washers at each end to fasten to back and side rails together.

REPLACEMENT PARTS



REF. NO.	DESCRIPTION	QTY.	PART NUMBERS							
			48" w x 30" d	48" w x 36" d	60" w x 30" d	60" w x 36" d	72" w x 30" d	72" w x 36" d	96" w x 30" d	96" w x 36" d
1	Side Rail (Pair)	2	SR-30	SR-36	SR-30	SR-36	SR-30	SR-36	SR-30	SR-36
2	Back Rail (Left & Right)	1	BR-48	BR-48	BR-60	BR-60	BR-72	BR-72	BR-96	BR-96
3	Splice Plate	1	BRSPICE	BRSPICE	BRSPICE	BRSPICE	BRSPICE	BRSPICE	BRSPICE	BRSPICE
4	#14 x 3/4" Wood Screw	14	**	**	**	**	**	**	**	**
5	1/4" -20 x 5/8" Bolt	18	**	**	**	**	**	**	**	**
6	1/4" Lock Washer	18	**	**	**	**	**	**	**	**
7	1/4" -20 Nut	10	**	**	**	**	**	**	**	**

NOTE: Additional hardware may be included for replacement purposes.

** Available Locally

Tennsco makes every effort to ensure that all units ship complete with all parts and arrive undamaged. However, should your unit contain missing or damaged parts, please contact your purchase location.